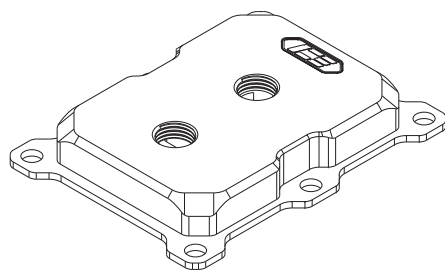


用户手册

USER GUIDE

ICE-SKY-E

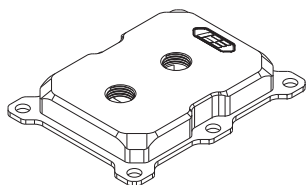
LGA3647 CPU Block
LGA3647 CPU 水冷头



本产品仅供专业人士安装。请咨询合格的技术人员进行安装。不正确的安装可能会导致设备损坏。Icemancooler对这些产品的使用及其安装不承担任何明示或暗示的责任。以下说明如有更改，恕不另行通知。请访问我们的网站获取更新。

This product is intended for experienced users only. Please consult with a qualified technician prior to installation. Improper installation may cause damage to your equipment. Icemancooler assumes no liability whatsoever, expressed or implied, for the use of these products, nor their installation. The following instructions are subject to change without notice. Please visit our web for up to date information.

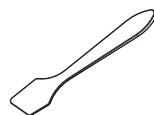
Contents



A Water Block x1
水冷头 x1



B Thermal Grease x1
导热硅脂 x1



C Scraper x1
刮刀 x1



D Screws x4
螺丝 x4



E Spring x4
弹簧 x4



F Gasket x4
垫片 x4



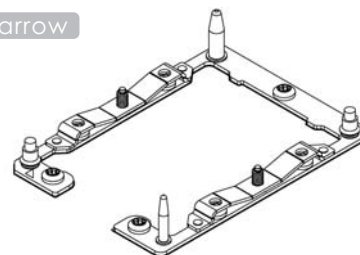
G Wrench x1
扳手 x1

NOTE:

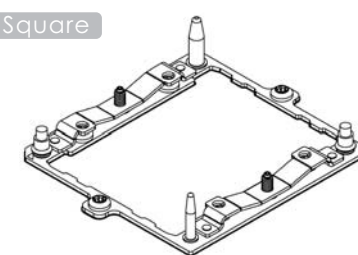


Intel LGA3647 插座有二个型号，请注意分辨选择相应的水冷头型号。
Intel LGA3647 socket has two models, please pay attention to distinguish and select the corresponding water block.

Narrow

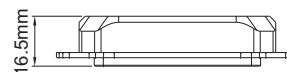


Square

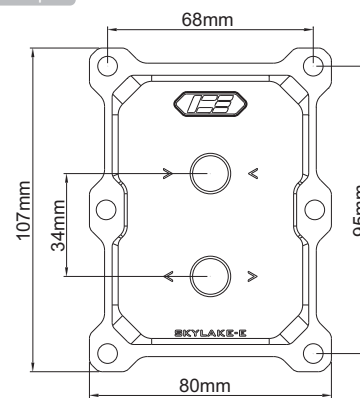


Dimension

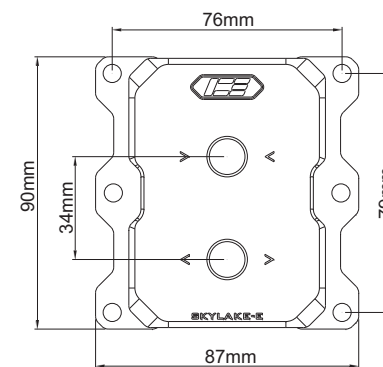
Front



Top



Narrow

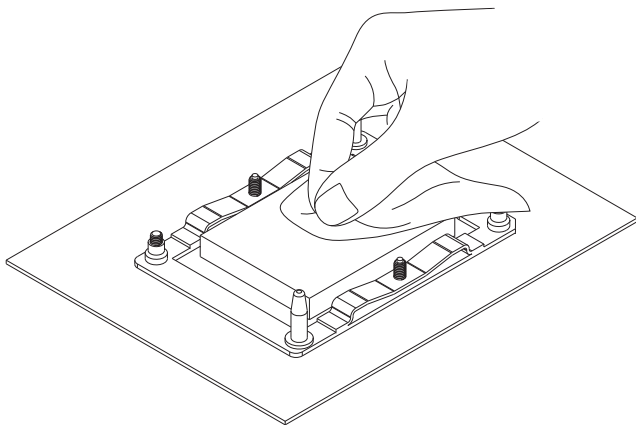


Square

Installing The Block (安装水冷头)

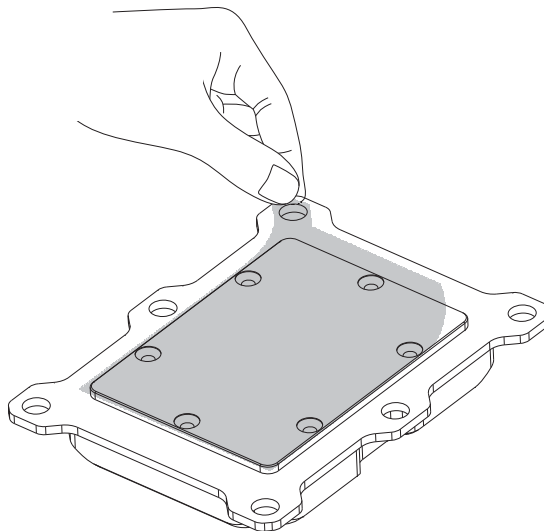
STEP 1:

清洁CPU表面。
Clean the CPU's surface.



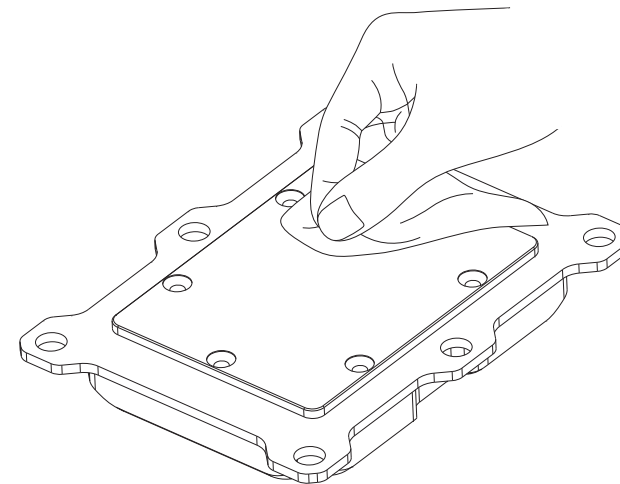
STEP 2:

去除水冷头底部的保护膜。
Remove the protective film from the bottom of the water block.



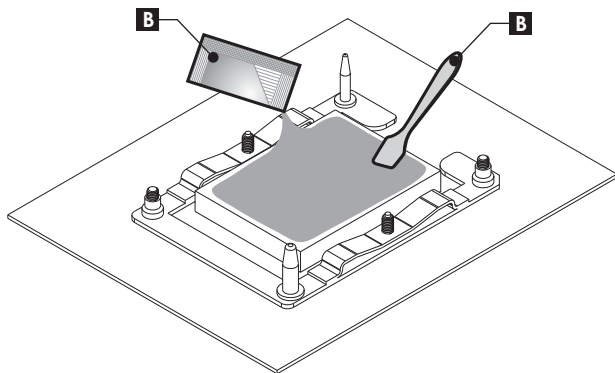
STEP 3:

清洁水冷头底部。
Clean the bottom of the water block.



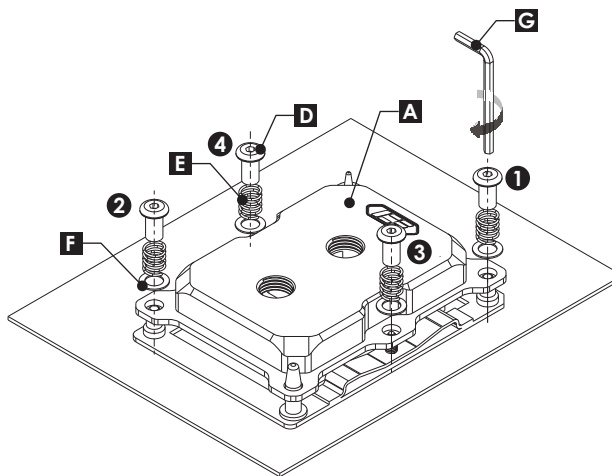
STEP 4:

将导热膏挤在CPU表面，使用刮刀涂抹均匀。
Apply the thermal paste evenly on the CPU's surface by using the scraper.



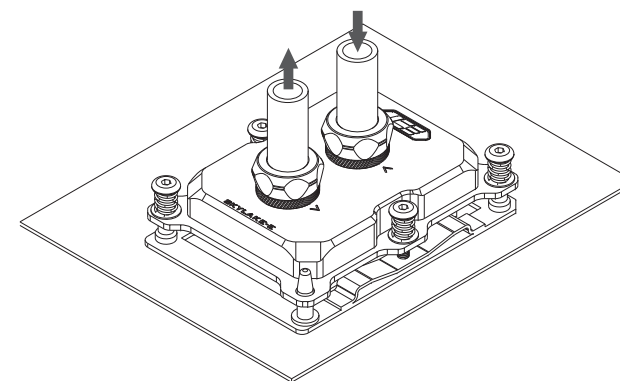
STEP 5:

将水冷头安装在CPU扣具上，并按**1 2 3 4**顺序依次拧紧螺丝。
Install the water block onto the retention bracket by using the mounting screws.



STEP 6:

进出水方向如图所示，禁止反接。
The direction of water in and out is as shown in the figure. Reverse connection is prohibited!



Note: Fittings Not Included!
本产品不包括接头！